

## QIAOXIN N-Channel Super Junction Power MOSFET III

### General Description

The series of devices use advanced trench gate super junction technology and design to provide excellent  $R_{DS(ON)}$  with low gate charge. This super junction MOSFET fits the industry's AC-DC SMPS requirements for PFC, AC/DC power conversion, and industrial power applications.

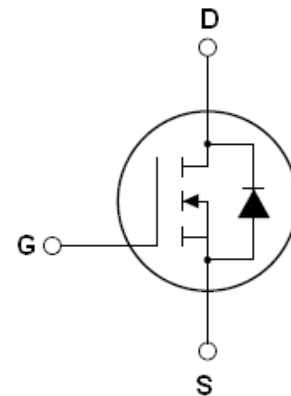
### Features

- New technology for high voltage device
- Low on-resistance and low conduction losses
- Small package
- Ultra Low Gate Charge cause lower driving requirements
- 100% Avalanche Tested
- ROHS compliant

### Application

- Power factor correction (PFC)
- Switched mode power supplies(SMPS)
- Uninterruptible Power Supply (UPS)

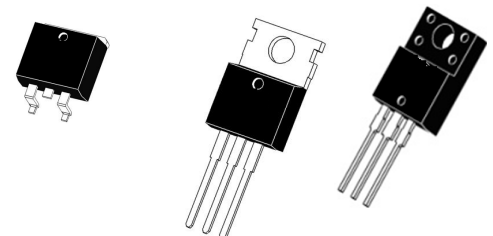
|                  |     |    |
|------------------|-----|----|
| $V_{DS}$         | 650 | V  |
| $R_{DS(ON) MAX}$ | 180 | mΩ |
| $I_D$            | 21  | A  |



Schematic diagram

### Package Marking And Ordering Information

| Device      | Device Package | Marking     |
|-------------|----------------|-------------|
| VCRR65T180  | TO-220         | VCRR65T180  |
| VCRR65T180F | TO-220F        | VCRR65T180F |
| VCRR65T180D | TO-263         | VCRR65T180D |



TO-263

TO-220

TO-220F

Table 1. Absolute Maximum Ratings ( $T_C=25^\circ\text{C}$ )

| Parameter  | Symbol          |          |       | Unit                |
|--|-----------------|----------|-------|---------------------|
| Drain-Source Voltage ( $V_{GS}=0V$ )                                 | $V_{DS}$        | 650      |       | V                   |
| Gate-Source Voltage ( $V_{DS}=0V$ ), AC ( $f>1\text{ Hz}$ )          | $V_{GS}$        | $\pm 30$ |       | V                   |
| Continuous Drain Current at $T_C=25^\circ\text{C}$                   | $I_{D(DC)}$     | 21       | 21*   | A                   |
| Continuous Drain Current at $T_C=100^\circ\text{C}$                  | $I_{D(DC)}$     | 13.2     | 13.2* | A                   |
| Pulsed drain current (Note 1)  | $I_{DM(pluse)}$ | 84       | 84*   | A                   |
| Maximum Power Dissipation( $T_C=25^\circ\text{C}$ )                  | $P_D$           | 188      | 33.8  | W                   |
| Derate above $25^\circ\text{C}$                                      |                 | 1.5      | 0.27  | W/ $^\circ\text{C}$ |
| Single pulse avalanche energy (Note 2)                               | $E_{AS}$        | 441      |       | mJ                  |
| Avalanche current (Note 1)   | $I_{AR}$        | 10.5     |       | A                   |
| Repetitive Avalanche energy, $t_{AR}$ limited by $T_{Jmax}$ (Note 1) | $E_{AR}$        | 0.7      |       | mJ                  |

| Parameter   | Symbol         |            | Unit |
|---|----------------|------------|------|
| Drain Source voltage slope, $V_{DS} \leq 480V$ ,      | dv/dt          | 50         | V/ns |
| Reverse diode dv/dt, $V_{DS} \leq 480V, I_{SD} < I_D$ | dv/dt          | 15         | V/ns |
| Operating Junction and Storage Temperature Range      | $T_J, T_{STG}$ | -55...+150 | °C   |

\* limited by maximum junction temperature

**Table 2. Thermal Characteristic**

| Parameter   | Symbol     |      |      | Unit |
|---|------------|------|------|------|
| Thermal Resistance, Junction-to-Case (Maximum)    | $R_{thJC}$ | 0.66 | 3.69 | °C/W |
| Thermal Resistance, Junction-to-Ambient (Maximum) | $R_{thJA}$ | 62.5 | 80   | °C/W |

**Table 3. Electrical Characteristics (TA=25°C unless otherwise noted)**

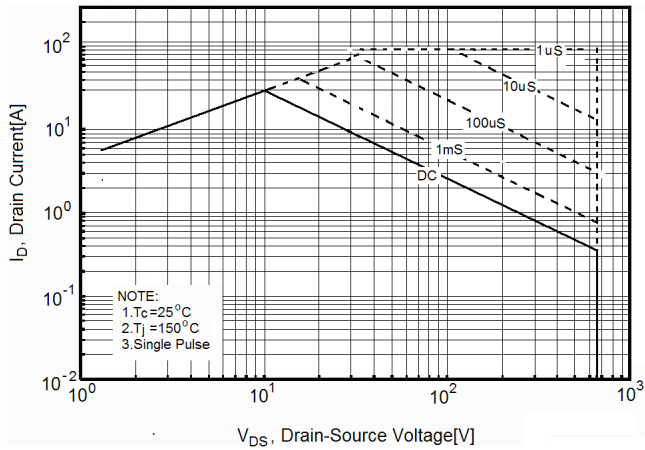
| Parameter  | Symbol       | Condition  | Min | Typ  | Max       | Unit       |
|--|--------------|--|-----|------|-----------|------------|
| <b>On/off states</b>                                 |              |  |     |      |           |            |
| Drain-Source Breakdown Voltage                       | $BV_{DSS}$   | $V_{GS}=0V, I_D=250\mu A$                            | 650 |      |           | V          |
| Zero Gate Voltage Drain Current( $T_C=25^\circ C$ )  | $I_{DSS}$    | $V_{DS}=650V, V_{GS}=0V$                             |     | 0.05 | 1         | $\mu A$    |
| Zero Gate Voltage Drain Current( $T_C=125^\circ C$ ) | $I_{DSS}$    | $V_{DS}=650V, V_{GS}=0V$                             |     |      | 100       | $\mu A$    |
| Gate-Body Leakage Current                            | $I_{GSS}$    | $V_{GS}=\pm 20V, V_{DS}=0V$                          |     |      | $\pm 100$ | nA         |
| Gate Threshold Voltage                               | $V_{GS(th)}$ | $V_{DS}=V_{GS}, I_D=250\mu A$                        | 3   | 3.5  | 4         | V          |
| Drain-Source On-State Resistance                     | $R_{DS(ON)}$ | $V_{GS}=10V, I_D=10.5A$                              |     | 150  | 180       | m $\Omega$ |
| <b>Dynamic Characteristics</b>                       |              |  |     |      |           |            |
| Forward Transconductance                             | $g_{FS}$     | $V_{DS} = 20V, I_D = 10.5A$                          |     | 16   |           | S          |
| Input Capacitance                                    | $C_{ISS}$    | $V_{DS}=50V, V_{GS}=0V,$<br>$F=1.0MHz$               |     | 2250 |           | PF         |
| Output Capacitance                                   | $C_{OSS}$    |  |     | 83   |           | PF         |
| Reverse Transfer Capacitance                         | $C_{RSS}$    |  |     | 1.6  |           | PF         |
| Total Gate Charge                                    | $Q_g$        | $V_{DS}=480V, I_D=21A,$<br>$V_{GS}=10V$              |     | 36   |           | nC         |
| Gate-Source Charge                                   | $Q_{gs}$     |  |     | 14   |           | nC         |
| Gate-Drain Charge                                    | $Q_{gd}$     |  |     | 8.5  |           | nC         |
| <b>Switching times</b>                               |              |  |     |      |           |            |
| Turn-on Delay Time                                   | $t_{d(on)}$  | $V_{DD}=380V, I_D=11A,$<br>$R_G=4\Omega, V_{GS}=10V$ |     | 11   |           | nS         |
| Turn-on Rise Time                                    | $t_r$        |  |     | 6    |           | nS         |
| Turn-Off Delay Time                                  | $t_{d(off)}$ |  |     | 61   |           | nS         |
| Turn-Off Fall Time                                   | $t_f$        |  |     | 4.5  |           | nS         |
| <b>Source- Drain Diode Characteristics</b>           |              |  |     |      |           |            |
| Source-drain current(Body Diode)                     | $I_{SD}$     | $T_C=25^\circ C$                                     |     |      | 21        | A          |
| Pulsed Source-drain current(Body Diode)              | $I_{SDM}$    |  |     |      | 84        | A          |
| Forward on voltage                                   | $V_{SD}$     | $T_J=25^\circ C, I_{SD}=21A, V_{GS}=0V$              |     | 0.9  | 1.3       | V          |
| Reverse Recovery Time                                | $t_{rr}$     | $T_J=25^\circ C, I_F=21A, di/dt=100A/\mu s$          |     | 310  |           | nS         |
| Reverse Recovery Charge                              | $Q_{rr}$     |  |     | 5    |           | $\mu C$    |
| Peak Reverse Recovery Current                        | $I_{rrm}$    |  |     | 28   |           | A          |

Notes 1. Repetitive Rating: Pulse width limited by maximum junction temperature

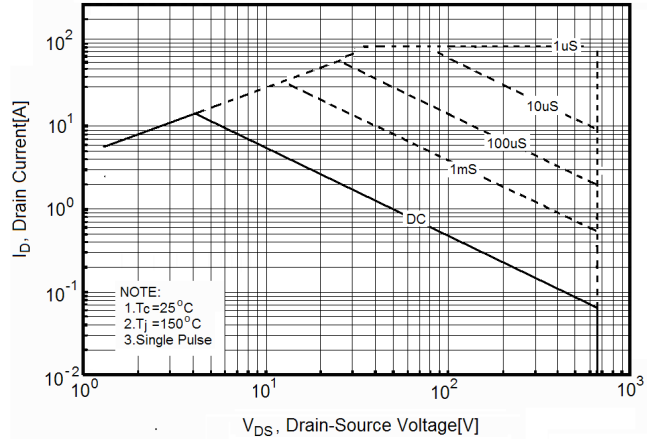
2.  $T_J=25^\circ C, V_{DD}=50V, V_G=10V, R_G=25\Omega$

**TYPICAL ELECTRICAL AND THERMAL CHARACTERISTICS (curves)**

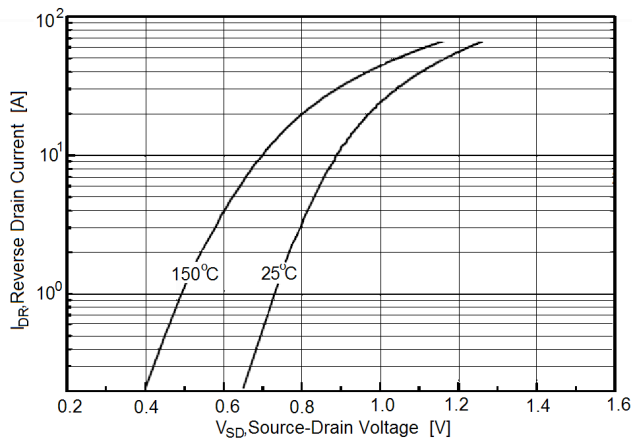
**Figure1. Safe operating area for TO-220/TO-263**



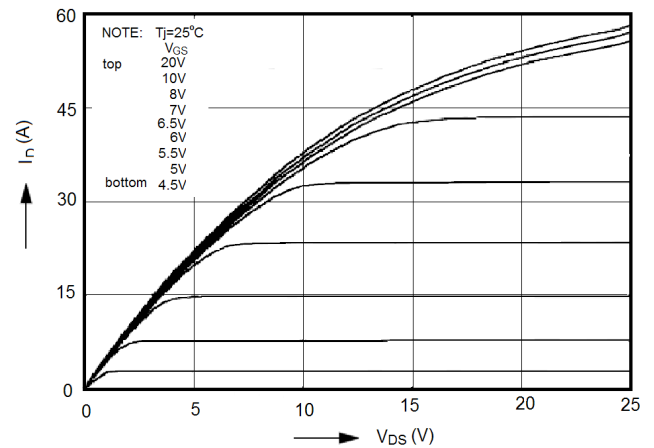
**Figure2. Safe operating area for TO-220F**



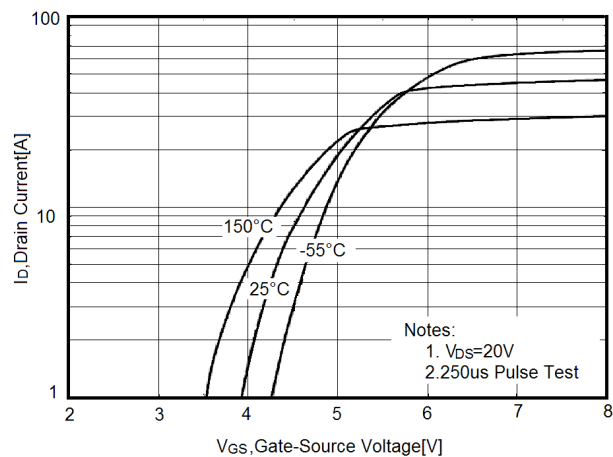
**Figure3. Source-Drain Diode Forward Voltage**



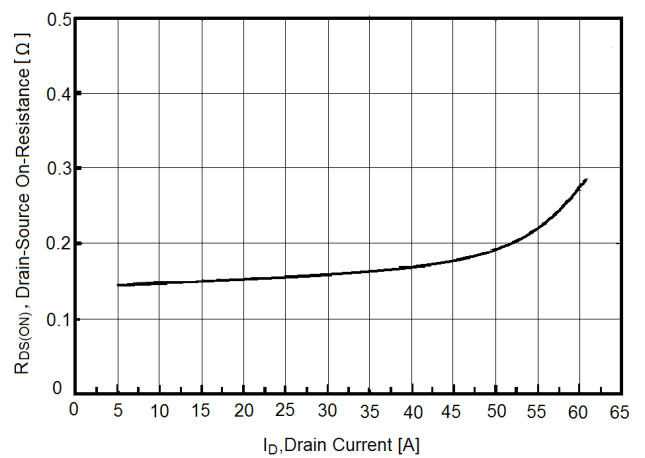
**Figure4. Output characteristics**



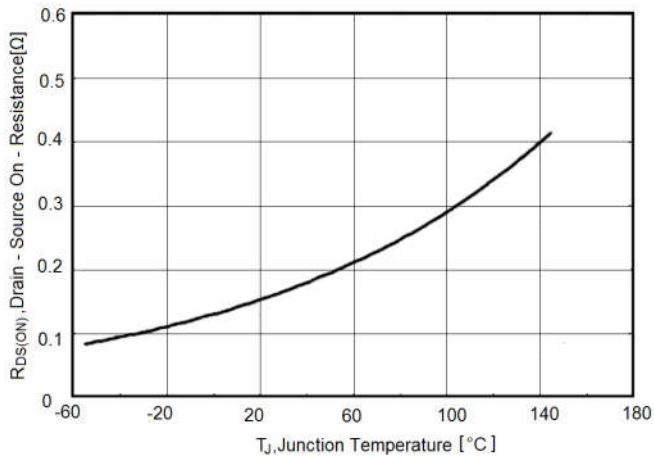
**Figure5. Transfer characteristics**



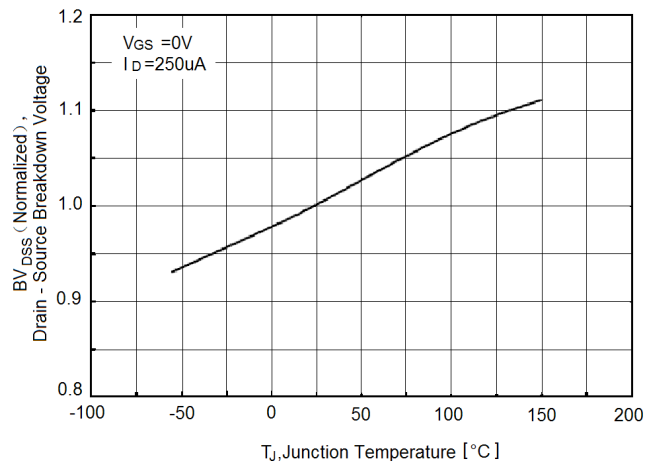
**Figure6. Static drain-source on resistance**



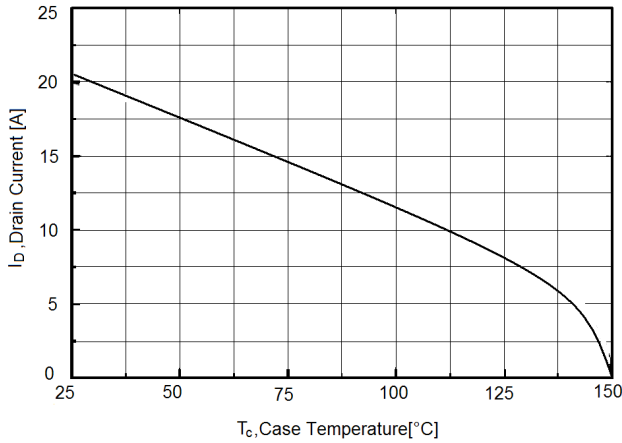
**Figure7.  $R_{DS(ON)}$  vs Junction Temperature**



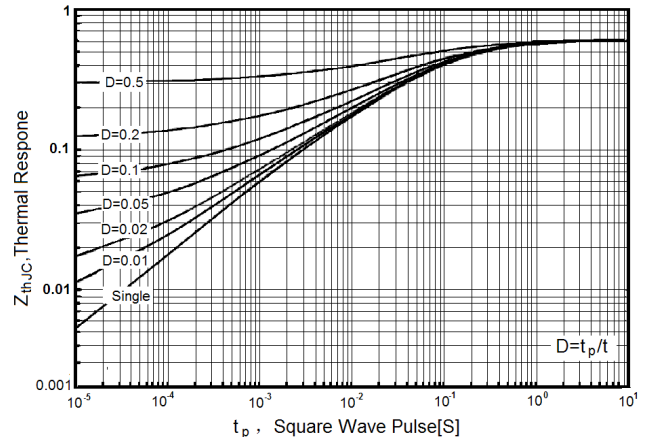
**Figure8.  $BV_{DSS}$  vs Junction Temperature**



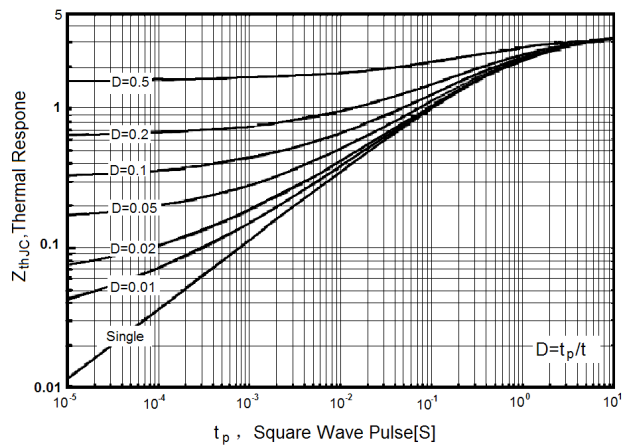
**Figure9. Maximum  $I_D$  vs Junction Temperature**



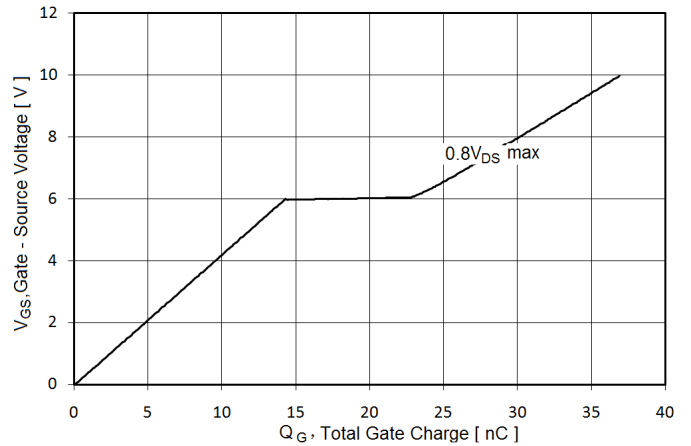
**Figure10. Transient Thermal Impedance for TO-220**



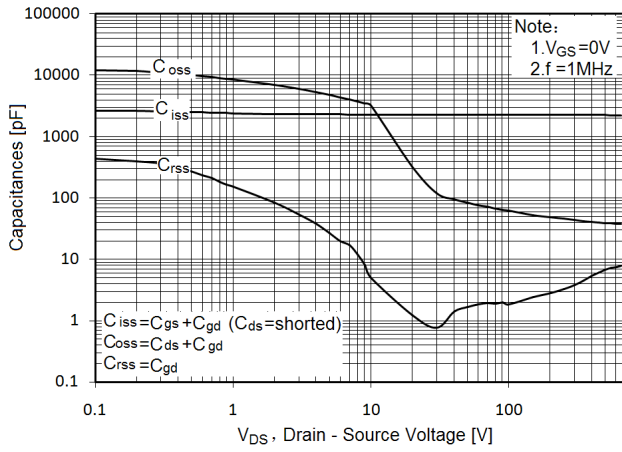
**Figure11. Transient Thermal Impedance for TO-220F**



**Figure12. Gate charge waveforms**

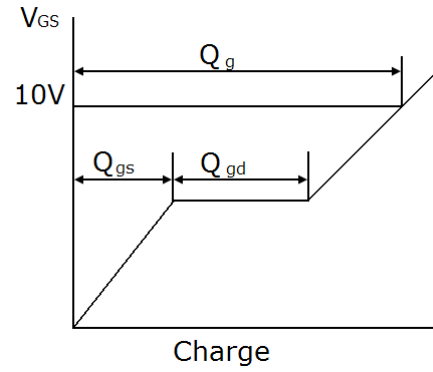
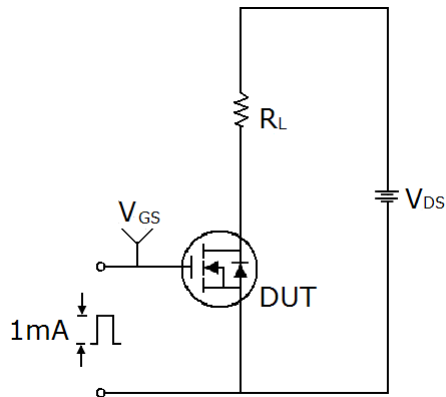


**Figure13. Capacitance**

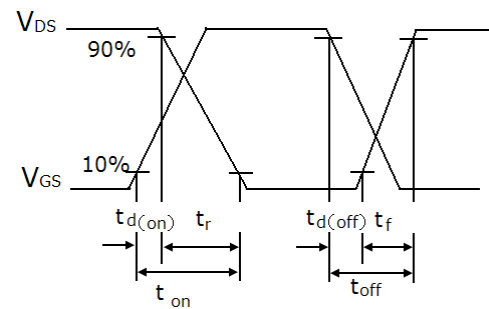
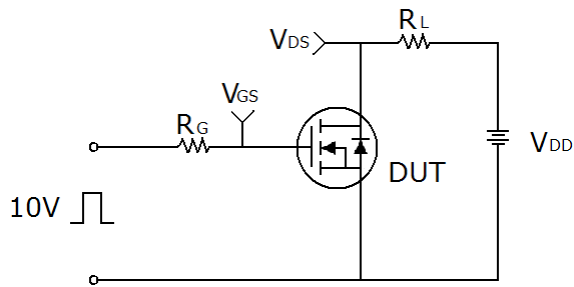


## Test circuit

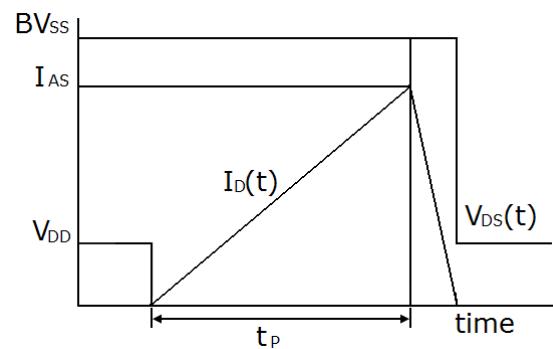
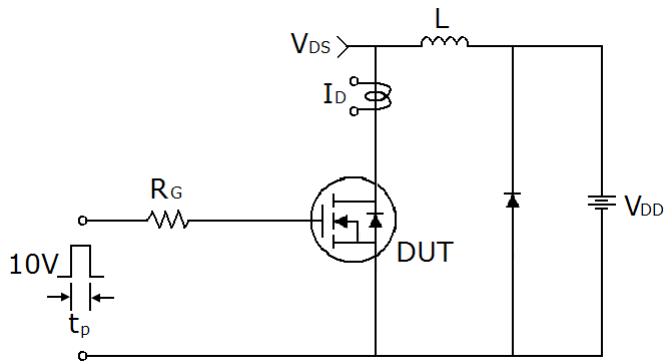
### 1) Gate charge test circuit & Waveform



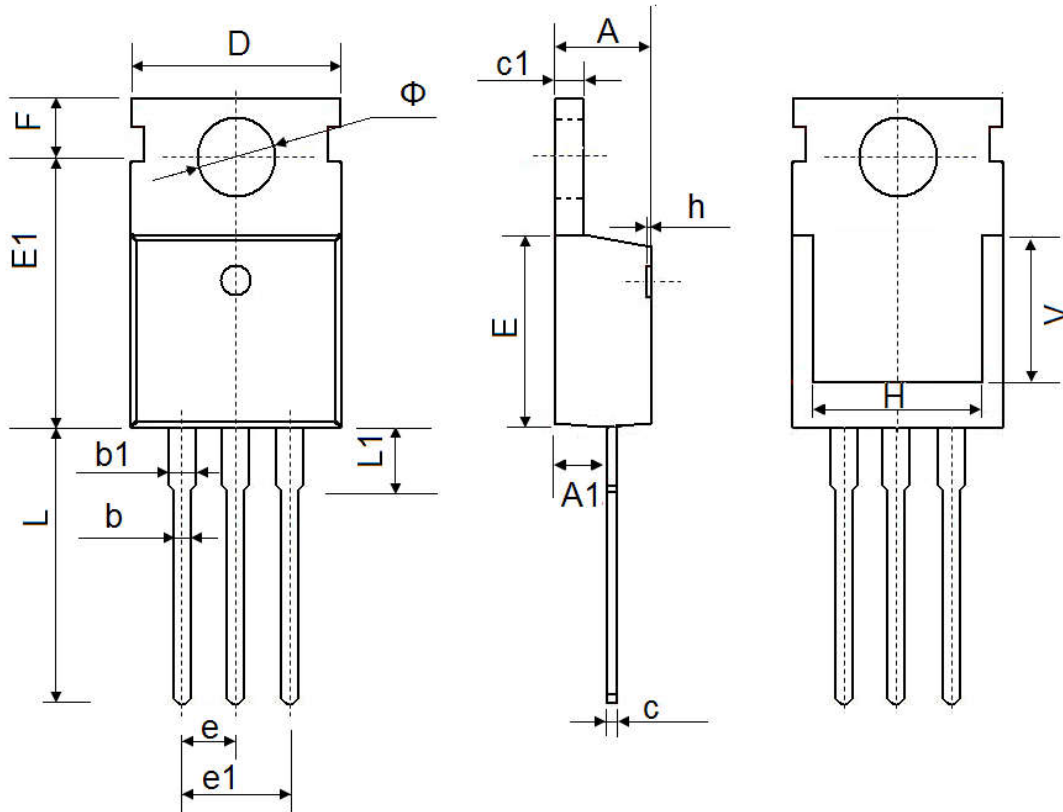
### 2) Switch Time Test Circuit:



### 3) Unclamped Inductive Switching Test Circuit & Waveforms

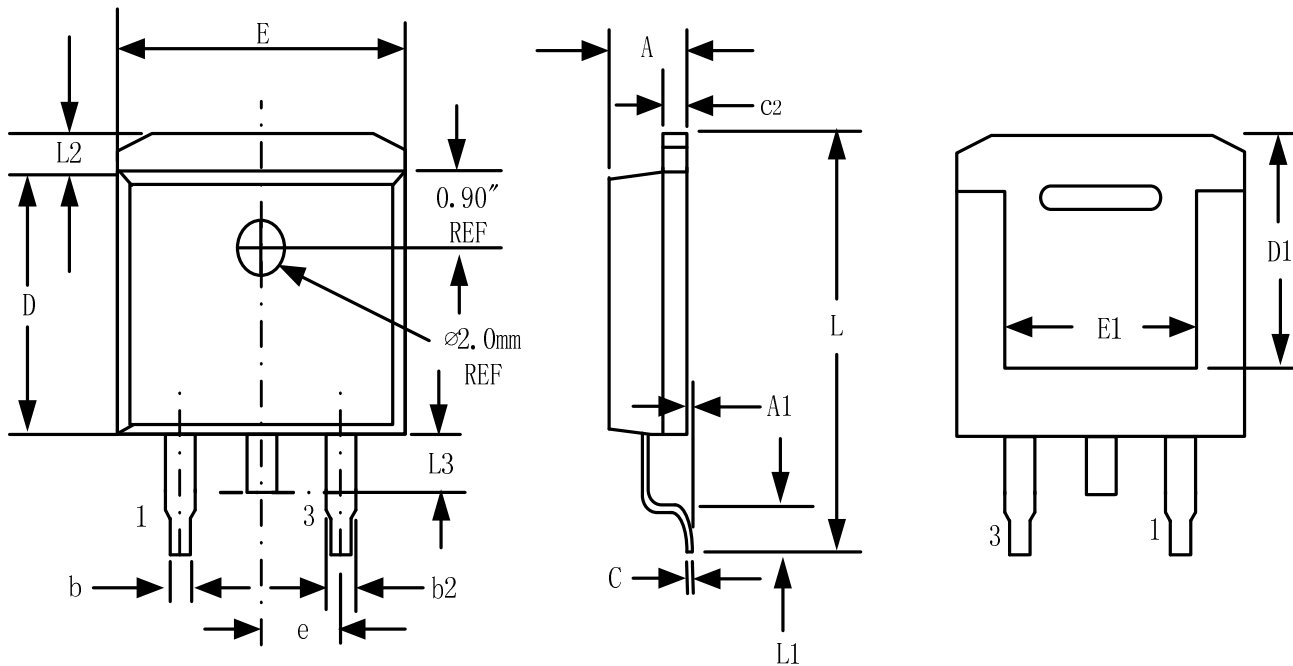


## TO-220-3L-C Package Information



| Symbol | Dimensions In Millimeters |        | Dimensions In Inches |       |
|--------|---------------------------|--------|----------------------|-------|
|        | Min.                      | Max.   | Min.                 | Max.  |
| A      | 4.400                     | 4.600  | 0.173                | 0.181 |
| A1     | 2.250                     | 2.550  | 0.089                | 0.100 |
| b      | 0.710                     | 0.910  | 0.028                | 0.036 |
| b1     | 1.170                     | 1.370  | 0.046                | 0.054 |
| c      | 0.330                     | 0.650  | 0.013                | 0.026 |
| c1     | 1.200                     | 1.400  | 0.047                | 0.055 |
| D      | 9.910                     | 10.250 | 0.390                | 0.404 |
| E      | 8.9500                    | 9.750  | 0.352                | 0.384 |
| E1     | 12.650                    | 12.950 | 0.498                | 0.510 |
| e      | 2.540 TYP.                |        | 0.100 TYP.           |       |
| e1     | 4.980                     | 5.180  | 0.196                | 0.204 |
| F      | 2.650                     | 2.950  | 0.104                | 0.116 |
| H      | 7.900                     | 8.100  | 0.311                | 0.319 |
| h      | 0.000                     | 0.300  | 0.000                | 0.012 |
| L      | 12.900                    | 13.400 | 0.508                | 0.528 |
| L1     | 2.850                     | 3.250  | 0.112                | 0.128 |
| V      | 7.500 REF.                |        | 0.295 REF.           |       |
| Φ      | 3.400                     | 3.800  | 0.134                | 0.150 |

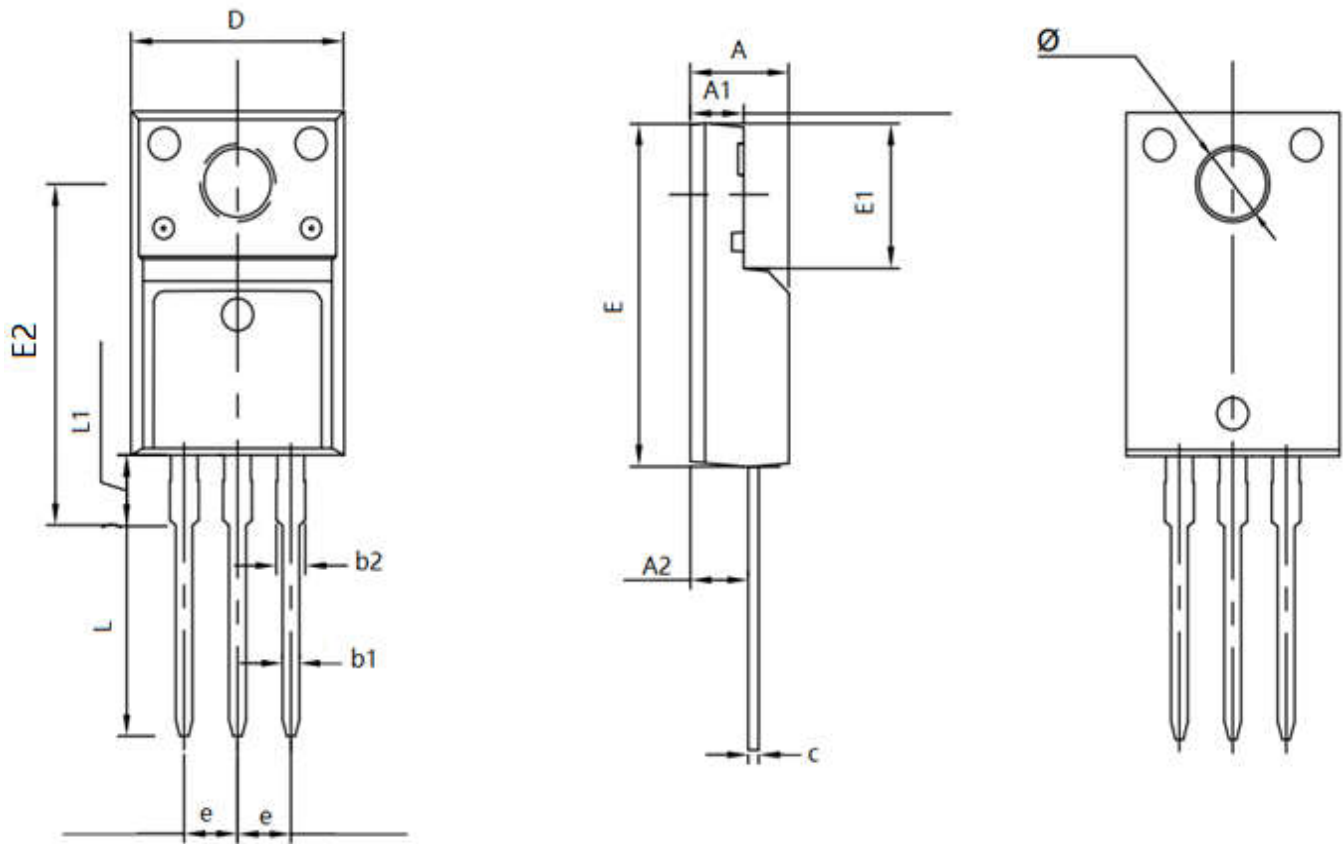
## TO-263-3L Package Information



| Symbol | Dimensions In Millimeters |       | Dimensions In Inches |       |
|--------|---------------------------|-------|----------------------|-------|
|        | Min.                      | Max.  | Min.                 | Max.  |
| A      | 4.32                      | 4.57  | 0.170                | 0.180 |
| A1     | -                         | 0.25  |                      | 0.010 |
| b      | 0.71                      | 0.94  | 0.028                | 0.037 |
| b2     | 1.15                      | 1.40  | 0.045                | 0.055 |
| c      | 0.46                      | 0.61  | 0.018                | 0.024 |
| c2     | 1.22                      | 1.40  | 0.048                | 0.055 |
| D      | 8.89                      | 9.40  | 0.350                | 0.370 |
| D1     | 8.01                      | 8.23  | 0.315                | 0.324 |
| E      | 10.04                     | 10.28 | 0.395                | 0.405 |
| E1     | 7.88                      | 8.08  | 0.310                | 0.318 |
| e      | 2.54 BSC                  |       | 0.100 BSC            |       |
| L      | 14.73                     | 15.75 | 0.580                | 0.620 |
| L1     | 2.29                      | 2.79  | 0.090                | 0.110 |
| L2     | 1.15                      | 1.39  | 0.045                | 0.055 |
| L3     | 1.27                      | 1.77  | 0.050                | 0.070 |



## TO-220F Package Information



| Symbol | Dimensions In Millimeters |        | Dimensions In Inches |       |
|--------|---------------------------|--------|----------------------|-------|
|        | Min.                      | Max.   | Min.                 | Max.  |
| A      | 4.500                     | 4.900  | 0.177                | 0.193 |
| A1     | 2.340                     | 2.740  | 0.092                | 0.108 |
| A2     | 2.560                     | 2.960  | 0.101                | 0.117 |
| b1     | 0.700                     | 0.900  | 0.028                | 0.035 |
| b2     | 1.180                     | 1.580  | 0.046                | 0.062 |
| c      | 0.400                     | 0.600  | 0.016                | 0.024 |
| D      | 9.960                     | 10.360 | 0.392                | 0.408 |
| E      | 15.670                    | 15.970 | 0.617                | 0.629 |
| E1     | 6.500                     | 6.900  | 0.256                | 0.272 |
| E2     | 15.500                    | 16.100 | 0.610                | 0.634 |
| e      | 2.540 TYP                 |        | 0.100 TYP            |       |
| φ      | 3.080                     | 3.280  | 0.121                | 0.129 |
| L      | 12.640                    | 13.240 | 0.498                | 0.521 |
| L1     | 3.030                     | 3.430  | 0.119                | 0.135 |

---

## ATTENTION

QIAOXIN assumes no responsibility for equipment failures that result from using products at values that exceed, even momentarily, rated values (such as maximum ratings, operating condition ranges, or other parameters) listed in products specifications of any and all QIAOXIN products described or contained herein. QIAOXIN products are not designed for use in life support appliances, devices or systems where malfunction of these products can be reasonably expected to result in personal injury. Reproduction in whole or in part is prohibited without the prior written consent of the copyright owner. QIAOXIN reserves the right to make changes to information published in this document, including without limitation specifications and product descriptions, at any time and without notice. This document supersedes and replaces all information supplied prior to the publication hereof.